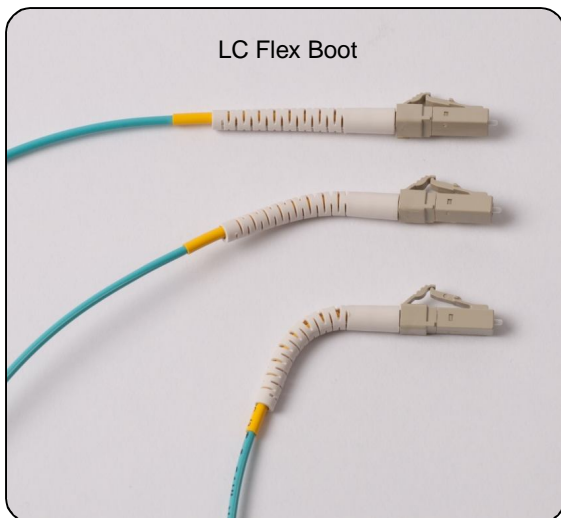
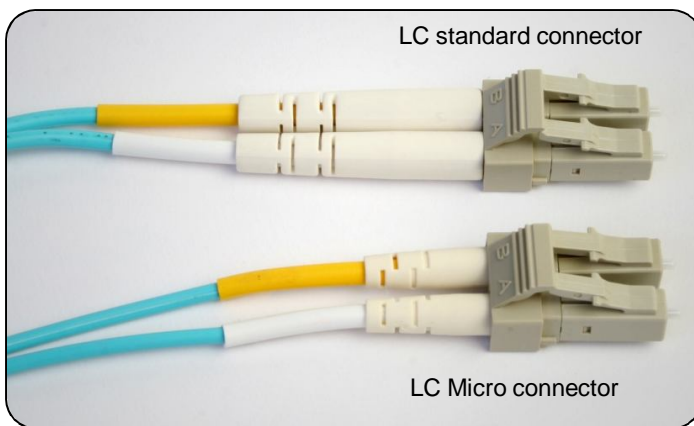


OM3/OM4 Duplex LC Cable Assemblies

Features/ Benefits

- Small form factor LC connector enables high panel densities
- Laser optimized 50/125 OM3 or OM4 multimode aqua cable for higher bandwidth capabilities
- LC assemblies available with standard, short or flexible boot options
- Available in a variety of lengths
- RoHS compliant



Specifications

Insertion Loss: Standard $\leq 0.35\text{dB}$ typical
Low Loss $\leq 0.15\text{dB}$ max

Durability: $< 0.2\text{dB}$ change, 500mating cycles

Temperature: -20 to $+75^\circ\text{C}$

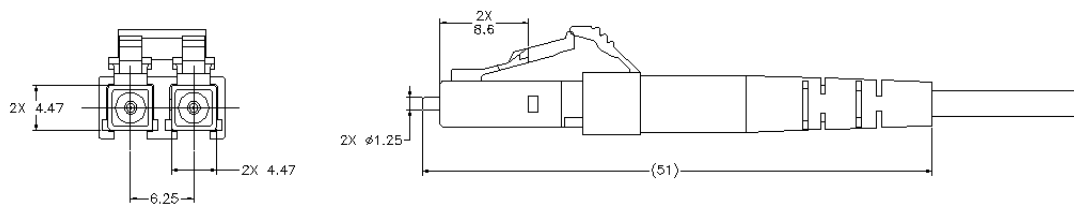
Intermateability:

Amphenol OM3/OM4 duplex LC assemblies are mechanically and optically intermateable with industry standard LC connectors and adapters and conform to TIA/EIA, IEC, and Telcordia specifications.

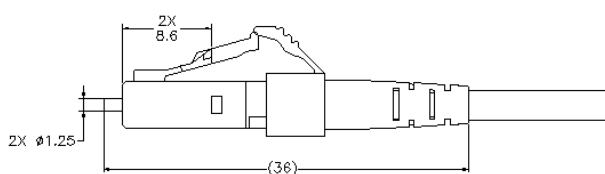
OM3/OM4 Duplex LC Cable Assemblies Ordering Information*

LC Flex Boot Assemblies		Cable Diameter	Boot
Part #	Description		
943-226DD-60001	Jumper, LC(D), Flex boot, 2mm OM3 50/125 zip, 1m	2.0mm	Flex , White
943-226DD-60003	Jumper, LC(D), Flex boot, 2mm OM3 50/125 zip, 3m	2.0mm	Flex , White
943-226DD-60005	Jumper, LC(D), Flex boot, 2mm OM3 50/125 zip, 5m	2.0mm	Flex , White
943-22BDD-60001	Jumper, LC(D), Flex boot, 2mm OM4 50/125 zip, 1m	2.0mm	Flex , White
943-22BDD-60003	Jumper, LC(D), Flex boot, 2mm OM4 50/125 zip, 3m	2.0mm	Flex , White
943-22BDD-60005	Jumper, LC(D), Flex boot, 2mm OM4 50/125 zip, 5m	2.0mm	Flex , White
LC Micro Assemblies		Cable Diameter	Boot
Part #	Description		
943-226DD-70001	Jumper, LC(D), Micro, 2mm OM3 50/125 zip, 1m	2.0mm	Short, White
943-226DD-70003	Jumper, LC(D), Micro, 2mm OM3 50/125 zip, 3m	2.0mm	Short, White
943-226DD-70005	Jumper, LC(D), Micro, 2mm OM3 50/125 zip, 5m	2.0mm	Short, White
943-22BDD-70001	Jumper, LC(D), Micro, 2mm OM4 50/125 zip, 1m	2.0mm	Short, White
943-22BDD-70003	Jumper, LC(D), Micro, 2mm OM4 50/125 zip, 3m	2.0mm	Short, White
943-22BDD-70005	Jumper, LC(D), Micro, 2mm OM4 50/125 zip, 5m	2.0mm	Short, White
LC Standard Assemblies		Cable Diameter	Boot
Part #	Description		
943-226DD-10001	Jumper, LC(D), 2mm OM3 50/125 zip, 1m	2.0mm	Standard White
943-226DD-10003	Jumper, LC(D), 2mm OM3 50/125 zip, 3m	2.0mm	Standard White
943-226DD-10005	Jumper, LC(D), 2mm OM3 50/125 zip, 5m	2.0mm	Standard White
943-22BDD-10001	Jumper, LC(D), 2mm OM4 50/125 zip, 1m	2.0mm	Standard White
943-22BDD-10003	Jumper, LC(D), 2mm OM4 50/125 zip, 3m	2.0mm	Standard White

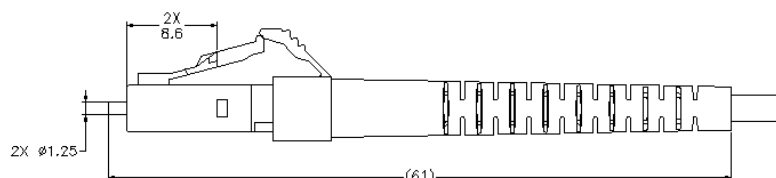
*Please contact Amphenol for other configurations



LC Duplex Connector with Standard 2.0mm boot



with 1.6/2.0mm Short Boot



LC Duplex Connector with Flex Boot