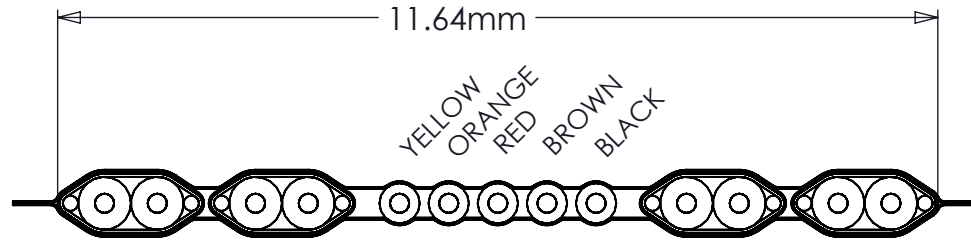
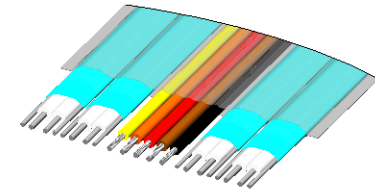


DETAIL VIEW ON SHEET 2

REVISIONS			
REV.	DESCRIPTION	ECN	DATE
A	UPDATE ATTENUATION	8015	09/08/2014



PRINT LEGEND THIS PAIR ONLY



ELECTRICAL

IMPEDANCE:  $85\Omega \pm 4\Omega$  (DIFFERENTIAL TDR)  
 CAPACITANCE: 56 pF / M NOM  
 PROP DELAY: 4.9 ns / M NOM

SKEW

WITHIN PAIR\*:  $\leq 10$  ps / 1 M  
 PAIR/PAIR\*:  $\leq 40$  ps / 1 M

\*5M SAMPLE

TDT METHOD, SHIELD(S) GROUNDED  
 DIFFERENTIAL 50%-50%

ATTENUATION (MAXIMUM):

3.95 dB / M @ 4.00 GHz (3.60 dB TYP)  
 5.05 dB / M @ 6.00 GHz (4.60 dB TYP)  
 6.30 dB / M @ 8.00 GHz (5.50 dB TYP)  
 8.50 dB / M @ 12.0 GHz (7.40 dB TYP)  
 12.1 dB / M @ 18.0 GHz (10.5 dB TYP)

PHYSICAL

(4) PARALLEL PAIRS

30 AWG  $\phi 0.254$ mm SOLID SILVER PLATED COPPER  
 $\phi 0.699$ mm NOM POLYOLEFIN  
 PARALLEL PAIR WITH (2) SIDE DRAINS  
 32 AWG  $\phi 0.202$ mm SOLID TINNED COPPER  
 .0254mm ALUMINIZED POLYESTER, BLUE, FOIL IN  
 PAIRS 1-4\* NUMBERED 1 THRU 4 AS SHOWN  
 \*PAIR 4 INCLUDES PRINT LEGEND  
 CLEAR POLYESTER, HEAT SEALED

(5) SINGLES

30 AWG  $\phi 0.254$ mm SOLID TINNED COPPER  
 $\phi 0.533$ mm NOM POLYOLEFIN,  
 STANDARD COLOR CODE

LAMINATED AS SHOWN

HEAT SEALED POLYMER, CLEAR

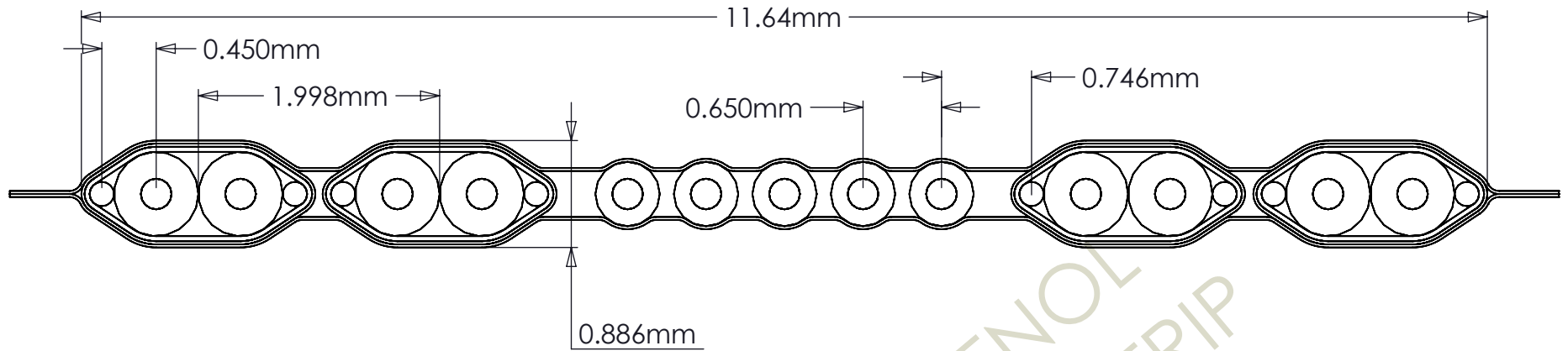
CONFORMANCE

RoHS COMPLIANT  
 AWM STYLE 20744 80°C 30V HB

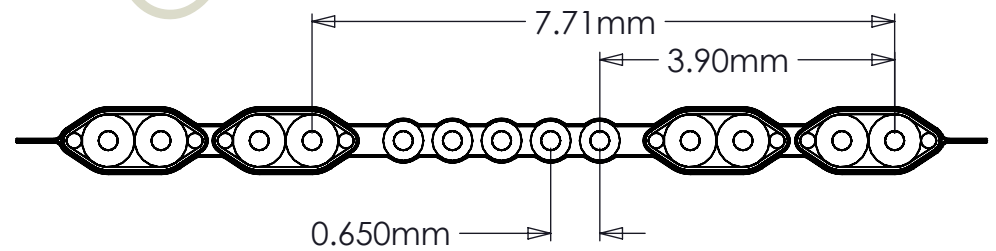
PRINT LEGEND

AMPHENOL SPECTRA-STRIP 130-3099-916-01 Rev A  
 AWM STYLE 20744 80°C HB  
 <LOT CODE>

DRAWN BY	REVIEWED	APPROVED	DOCUMENT NO. 130-3099-916-01	AMPHENOL SPECTRA-STRIP® 720 SHERMAN AVENUE HAMDEN CT 06514	TEL (203) 281-3200 FAX (203) 281-5872	Rev A
MSW 07/11/2014			TITLE: RIBBON TWINAX, (4) PAIRS, (5) SINGLES 85Ω, 30 AWG			SHEET 1 OF 2



AMPHENOL  
SPECTRA-STRIP  
CONFIDENTIAL



DRAWN BY MSW 07/11/2014	REVIEWED	APPROVED	DOCUMENT NO. 130-3099-916-01 TITLE: RIBBON TWINAX, HAL FREE (4) PAIRS, (5) SINGLES 85Ω, 30 AWG	AMPHENOL SPECTRA-STRIP® 720 SHERMAN AVENUE HAMDEN CT 06514 TEL (203) 281-3200 FAX (203) 281-5872	Rev A SHEET 2 OF 2
-------------------------------	----------	----------	---	--	--------------------------