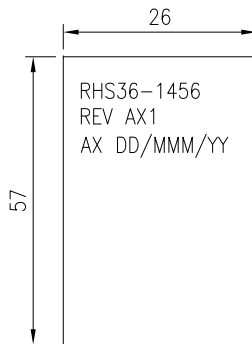
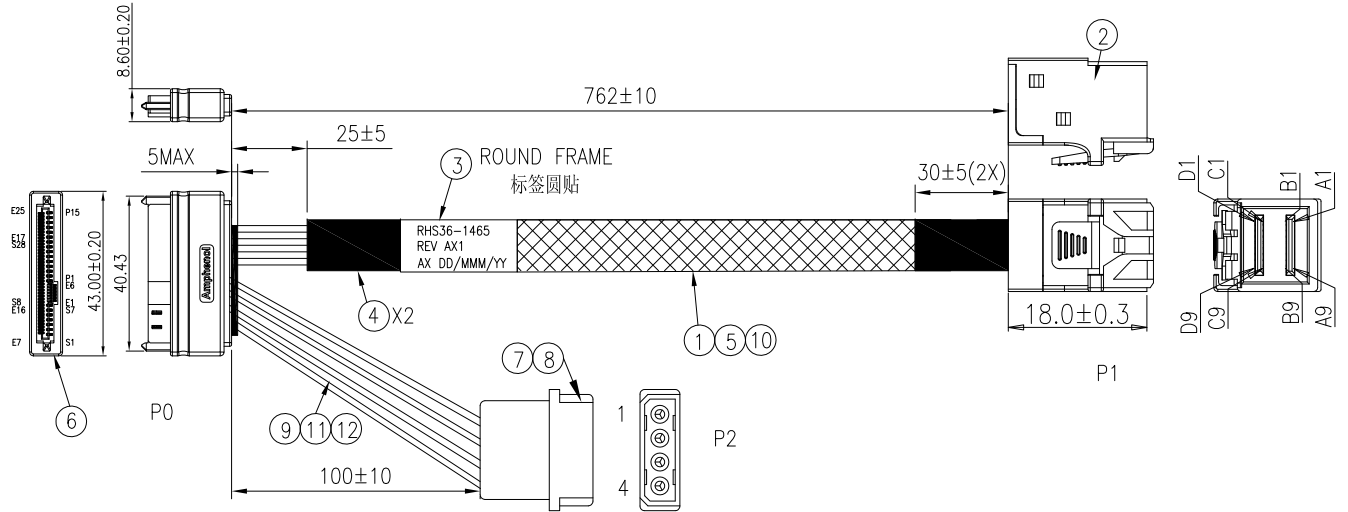
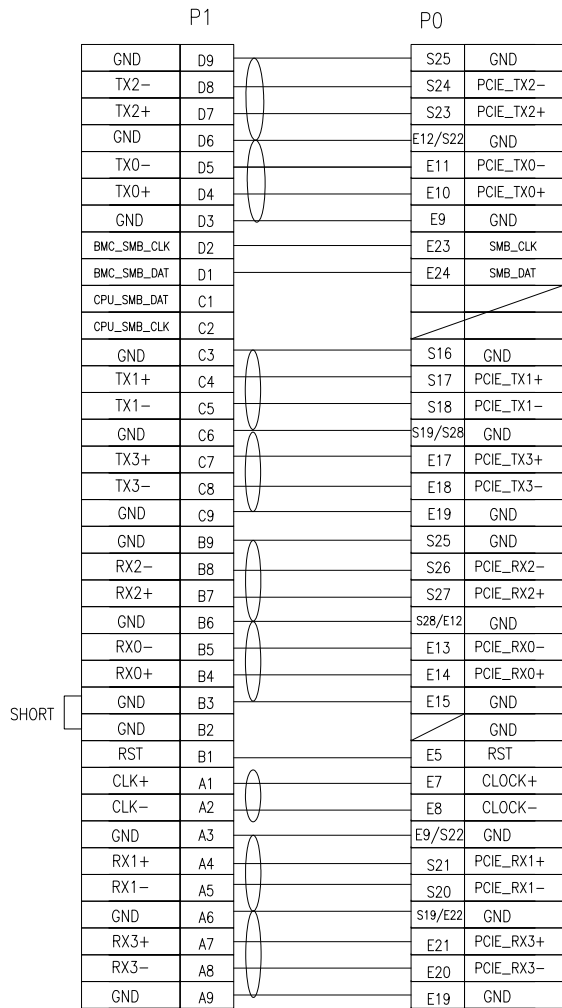


The marking on this product doesn't contain environmental hazardous, materials per directive 2011/65/EU for RoHS compliant.

NOTE:  
1.ELECTRICAL AND MECHANICAL PERFORMANCE SHALL MEET THE SAS3.0 INDUSTRIAL STANDARD.  
电气和机械特性遵循SAS3.0工业标准.

REVISIONS					
ECN NO.	REV.	DESCRIPTIONS	CHECKED	APPROVED	DATE
REL.	AX1	INITIAL RELEASE	HANK	DAVID	09/10/2014



DETAIL LABEL

P0	E3	P1	P2	P3	P4	P5	P6	P7	P8	P9	P10	P11	P12	P13	P14	P15
P2	1	----				2		3			----		2		4	
SYMBOL	3.3V	----				GND		5V			----		GND		12V	
WIRE AWG	26AWG	----				18AWG		18AWG			----		24AWG		18AWG	
WIRE COLOR	ORANGE	----				BLACK		RED			----		BLACK		YELLOW	

WIRING TABLE

12	R100702401	WIRE,24AWG,UL1007,STRAND ED,BLK	A/R
11	R100702605	WIRE,26AWG,UL1007,STRAND ORG	A/R
10	R1061030XX	WIRE,30AWG,UL1061,STRANDED	A/R
9	R10070180X	WIRE:18AWG,41C,UL1007,BLK/RED/YEL	A/R
8	RT50800006	TERM:M,BRS,TIN,18~24#,Reel	4
7	RH50804005	HSG:4P,5.08PH,M,NL66,V2, NATURAL	1
6	AST8639-001	PCIE 68POS CONN,STR,BLACK,Au15u"	1
5	HMTBD00501	EXPANDO TUBE:OD=5MM,BLACK	A/R
4	RMMTP00036	ACETOUS Tape:30mm WIDE,30M/REEL,BLK	A/R
3	HMLSB57262	LABEL:57*26MM,BLANK	A/R
2	AST8643-0036-04	HD MINI SAS 36POS STR, SHORT TYPE	1
1	HWSS300036	SAS CBL:30AWG*2C+2EAM,0.9*2.3,NATURAL	A/R
ITEM	VENDOR P/N	DESCRIPTION	QTY

This drawing is the property of Amphenol Corporation and is delivered on the express condition that it is not to be disclosed, reproduced or used, in whole or in part, for manufacture or sale by anyone other than Amphenol Corporation without its prior consent, and that no right is granted to disclose or use any information in this drawing.

**Amphenol**  
**ASSEMBLETECH Co. LTD.**

GENERAL TOLERANCES			
.X:	± 0.5	DRAWN:	VICKY WANG
.XX:	± 0.3	DATE:	09/10/2014
.XXX:	± 0.01	CHECKED:	HANK RAN
ANGULAR:	± 1°	DATE:	09/10/2014
		APPROVED:	DAVID CHAN

TITLE:			SFF 8639 TO SFF 8643 WITH POWER		
DWG. No.:			RHS36-1456		
SCALE: NONE		SHEET 1 OF 1			
UNIT: MM	SIZE: A4	REV.: AX1			