

The marking on this product doesn't contain environmental hazardous, materials per directive 2002/95/EC for RoHS compliant.

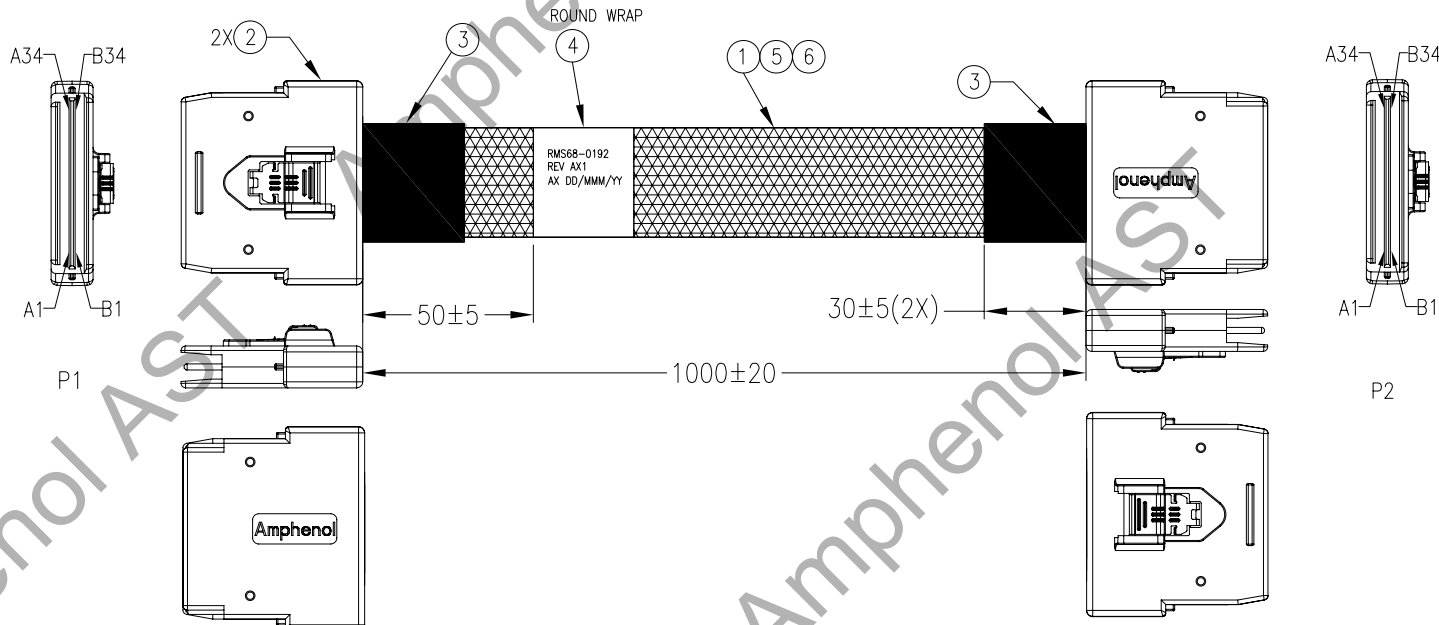
REVISIONS

ECN NO.	REV.	DESCRIPTIONS	CHECKED	APPROVED	DATE
REL.	AX1	INITIAL RELEASE	JIESS	DAVID	02/01/2013

NOTE
 1. THIS PRODUCTS USE AST CABLE
 此产品使用AST线材
 2. THIS CABLE SHALL BE 12G TESTED.
 本产品需要通过12G测试。

P1 PINOUT 1 P2

GND	A1	B1	GND
RXP_0	A2	B2	TXP_0
RXN_0	A3	B3	TXN_0
GND	A4	B4	GND
RXP_1	A5	B5	TXP_1
RXN_1	A6	B6	TXN_1
GND	A7	B7	GND
RXP_2	A8	B8	TXP_2
RXN_2	A9	B9	TXN_2
GND	A10	B10	GND
RXP_3	A11	B11	TXP_3
RXN_3	A12	B12	TXN_3
GND	A13	B13	GND
SIDE BAND_A0	A14	B14	SIDE BAND_B0
SIDE BAND_A1	A15	B15	SIDE BAND_B1
SIDE BAND_A2	A16	B16	SIDE BAND_B2
SIDE BAND_A3	A17	B17	SIDE BAND_B3
SIDE BAND_A4	A18	B18	SIDE BAND_B4
SIDE BAND_A5	A19	B19	SIDE BAND_B5
SIDE BAND_A6	A20	B20	SIDE BAND_B6
SIDE BAND_A7	A21	B21	SIDE BAND_B7
GND	A22	B22	GND
RXP_4	A23	B23	TXP_4
RXN_4	A24	B24	TXN_4
GND	A25	B25	GND
RXP_5	A26	B26	RXP_5
RXN_5	A27	B27	TXN_5
GND	A28	B28	GND
RXP_6	A29	B29	TXP_6
RXN_6	A30	B30	TXN_6
GND	A31	B31	GND
RXP_7	A32	B32	TXP_7
RXN_7	A33	B33	TXN_7
GND	A34	B34	GND
GND	B1	A1	GND
TXP_0	B2	A2	RXP_0
TXN_0	B3	A3	RXN_0
GND	B4	A4	GND
TXP_1	B5	A5	RXP_1
TXN_1	B6	A6	RXN_1
GND	B7	A7	GND
TXP_2	B8	A8	RXP_2
TXN_2	B9	A9	RXN_2
GND	B10	A10	GND
TXP_3	B11	A11	RXP_3
TXN_3	B12	A12	RXN_3
GND	B13	A13	GND
SIDE BAND_B0	B14	A14	SIDE BAND_A0
SIDE BAND_B1	B15	A15	SIDE BAND_A1
SIDE BAND_B2	B16	A16	SIDE BAND_A2
SIDE BAND_B3	B17	A17	SIDE BAND_A3
SIDE BAND_B4	B18	A18	SIDE BAND_A4
SIDE BAND_B5	B19	A19	SIDE BAND_A5
SIDE BAND_B6	B20	A20	SIDE BAND_A6
SIDE BAND_B7	B21	A21	SIDE BAND_A7
GND	B22	A22	GND
TXP_4	B23	A23	RXP_4
TXN_4	B24	A24	RXN_4
GND	B25	A25	GND
TXP_5	B26	A26	RXP_5
TXN_5	B27	A27	RXN_5
GND	B28	A28	GND
TXP_6	B29	A29	RXP_6
TXN_6	B30	A30	RXN_6
GND	B31	A31	GND
TXP_7	B32	A32	RXP_7
TXN_7	B33	A33	RXN_7
GND	B34	A34	GND



ITEM	VENDOR P/N	DESCRIPTION	QTY
6	RMTBD01001	EXPANDO TUBE:OD=10MM,BLA CK	A/R
5	R10610300X	WIRE,30AWG,UL1061,STRANDED	A/R
4	RMLSB70401	LABEL:70*40MM,WHT	1
3	RMMTP00036	ACETOUS TAPE W=30mm	A/R
2	AST8087-0068	68 POS. MINI SAS, STRAIGHT	2
1	(R)202023001	SAS CBL:30AWG*2C+2EAM,0.9*2.3,NATURAL	A/R

GENERAL TOLERANCES		DRAWN:		DATE:	
.X:	± 0.5	ENOCH LIN	02/01/2013		
.XX:	± 0.3	JIESS HUANG	02/01/2013		
.XXX:	± 0.01	DAVID CHAN	02/01/2013		
ANGULAR:	± 1°				

Amphenol
ASSEMBLETECH Co. LTD.

TITLE: SFF8087 MINI SAS 68 POS STR TO 68 POS STR

DWG. No.: RMS68-0192

SCALE: NONE	SHEET 1 OF 1
UNIT: MM	SIZE: A4
REV.: AX1	