



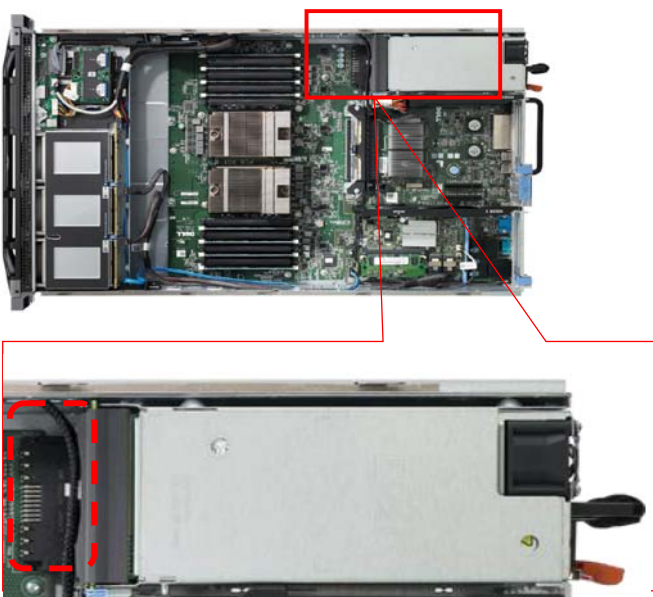
Energy Razor® is an ideal power connector series for power distribution to provide power and signal control in one single connector. The connector is extensively applied in AC/DC power supplies, power distribution board or for board-to-board connection in server, storage, and telecommunication equipments.. Energy Razor® key features include:

- Compatible with UL Requirement
- Multiple Contact Design Ensures Great Contact Reliability
- Blind-mating capability with Guiding pin design
- Venting Hole for Great Thermal Performance
- Capability for Expansion to 16 power pins and 24 signal pins

Energy Edge	Part Number	Gender	Orientation	Tail	Tail Length	Configuration	Pin			Power Pin Pitch	Contact Sequency	Mounting
							Power	Signal	Power			
	G20M20300HR	Male	R/A	DIP	3.43mm	Power/Signal	6	24	0	5.08mm	No	Screw hole
	G20M20800HR					Power/Signal	2	12	0	6.35mm	No	Screw hole
	G20M20100HR					Power/Signal	4	16	0	5.08mm	No	Screw hole
	G20M20700HR					Power/Signal	14	32	0	6.35mm	No	Screw hole
	G20M20200HR					Power/Signal/Power	3	24	3	5.08mm	No	Screw hole
	G20M20600HR					Power/Signal/Power	2	24	2	6.35mm	No	Screw hole
	G20M20400HR					Power/Signal/Power	3	16	6	5.08mm/6.35mm/7.62mm	No	Screw hole
	G20M21000A1HR					Power/Signal/Power	1	40	1	N/A	Yes	Boardlock
	G20M20900A1HR					Power/Signal/Power	2	16	2	6.35mm	Yes	Screw hole
	G20F20300HR	Female	R/A	DIP	3.43mm	Signal/Power	0	24	6	5.08mm	N/A	Screw hole
	G20F20100HR					Signal/Power	0	16	4	5.08mm	N/A	Screw hole
	G20F2192000HR					Signal/Power	0	12	4	6.35mm	N/A	Screw hole
	G20F20200HR					Power/Signal/Power	3	24	3	5.08mm	N/A	Screw hole
	G20F20600HR					Power/Signal/Power	2	24	2	6.35mm	N/A	Screw hole
	G20F20400HR					Power/Signal/Power	6	16	3	5.08mm/6.35mm/7.62mm	N/A	Screw hole
	G20F2182000HR					Power/Signal/Power	1	40	1	N/A	N/A	Boardlock
	G20F2090000HR					Power/Signal/Power	2	16	2	6.35mm	N/A	Screw hole

\* The tooling can be modified to different configuration with power and signal pin number.

\*\* If there is any inquiry out of the list, please check with AMTA for the modification.



Energy Razor®

www.amphenolacp.com

Amphenol

Now you're connected

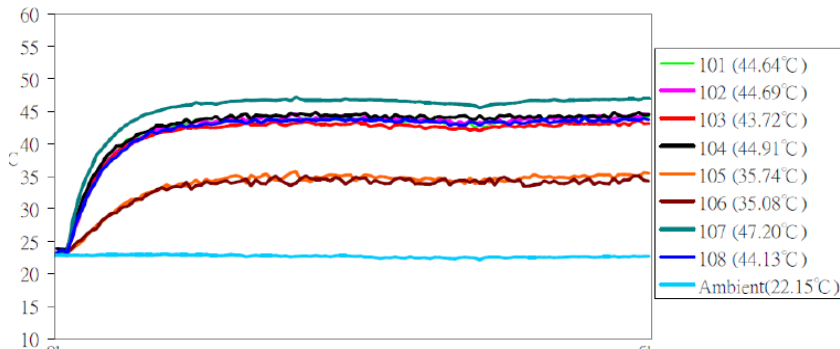
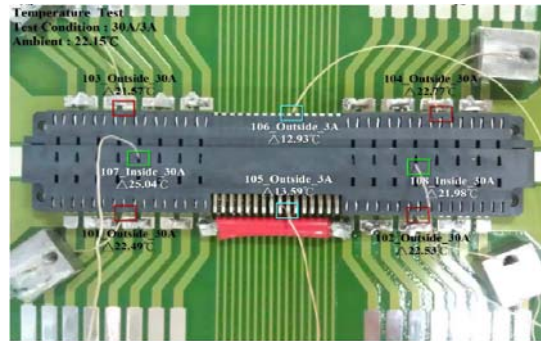
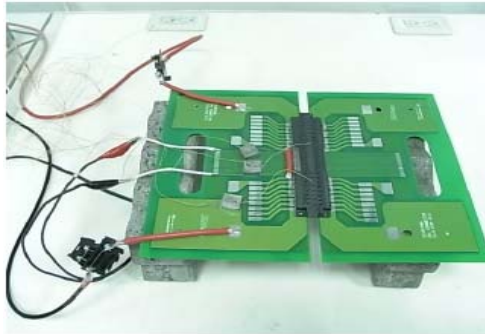
**Mechanical Specifications**

Mating Force	Single Power Pin 800g Max Single Signal Pin 100g Max
Unmating Force	Single Power Pin 227g min Single Signal Pin 18g min
Contact Retention force	Single Power Pin 32N min Single Signal Pin 19N min
Durability	200 cycles

**Electrical Specification**

Current Rating	Power Contact: 30A Signal Contact: 3A
Contact Resistance	Initial: 35 milliohms maximum After test: ΔR=20 milliohms maximum
Dielectric Withstanding Voltage	Power Contact: 2500V DC Signal Contact: 1000V DC

**Temperature Rise**



**Applications**

Power supply, distribution and control for board-to-board, panel-mount and rack-mount connections

- Networking
- Telcom
- Server
- Storage
- Wireless
- Medical
- Test & Measure
- Industrial



**Amphenol Canada Corp.**  
Toronto, Ontario, Canada  
Tel: +1-416-291-4401  
Fax: +1-416-292-0647  
Email: sales@amphenolcanada.com  
Web: www.amphenolcanada.com

**Amphenol Commercial Products Americas**  
Email: info@amphenolacp.com  
Web: www.amphenolacp.com

**Amphenol InfoCom Europe**  
Houten, Netherlands  
Tel: +31-30-635-8000  
Fax: +31-30-637-7034  
Email: customerservice@amphenol-nl.com  
Web: www.amphenolinfocom.eu

**Amphenol Japan Infocom**  
Tokyo, Japan  
Tel: +81-45-473-9191  
Fax: +81-45-473-9204  
Email: info@amphenol.co.jp  
Web: www.amphenol.co.jp

**Amphenol Daeshin Limited**  
Bucheon, Korea  
Tel: +82-32-610-3800  
Fax: +82-32-673-2507  
Email: info@amphenol.co.kr  
Web: www.amphenol.co.kr

**Amphenol Taiwan Corporation**  
Taoyuan, Taiwan  
Tel: +886-3-379-5677  
Fax: +886-3-360-7259  
Email: info@amphenol.com.tw  
Web: www.amphenol.com.tw

**Amphenol East Asia Limited - South East Asia**  
The Concourse, Singapore  
Tel: +65-6294-2128  
Fax: +65-6294-3522  
Email: info@amphenol.com.sg

**Amphenol East Asia Limited**  
Hong Kong, China  
Tel: +852-2699-2663  
Fax: +852-2691-1774  
Email: enquiry@amphenol.com.hk  
Web: www.amphenol.com.hk

**Amphenol Shanghai Sales**  
Shanghai China  
Tel: +86-21-5836-5500  
Fax: +86-21-5836-5618  
Email: info@amphenol.com.cn  
Web: www.amphenol.com.cn

**Amphenol Shenzhen Sales**  
Shenzhen, China  
Tel: +86-755-2399-2529  
Fax: +86-755-2399-2540  
Email: info@amphenol.com.cn  
Web: www.amphenol.com.cn