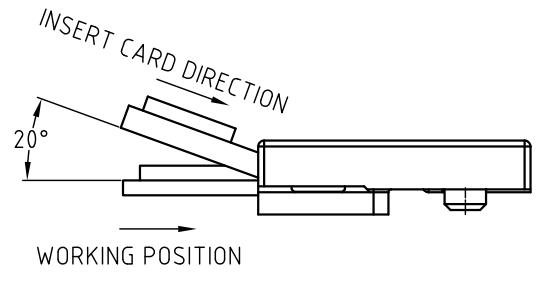
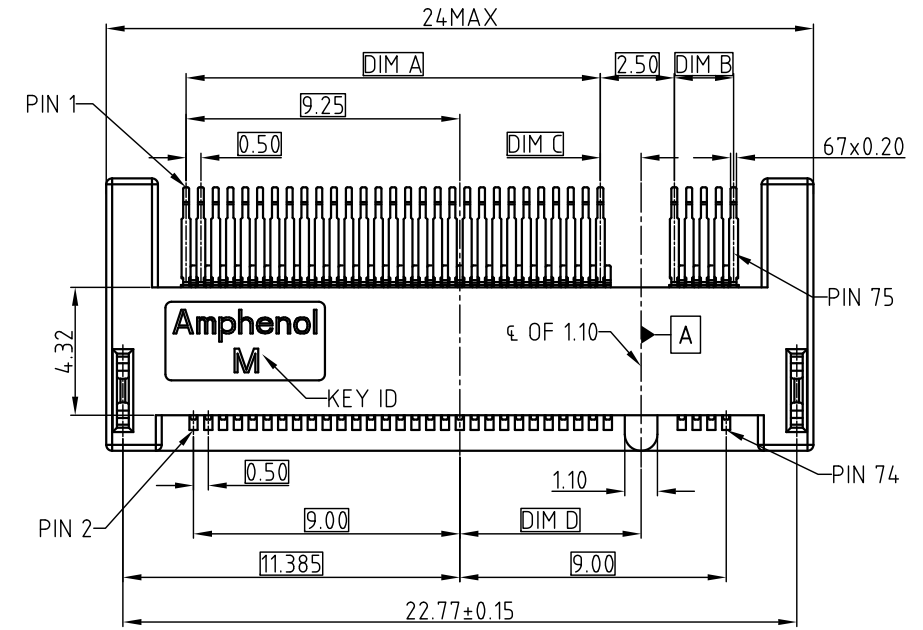


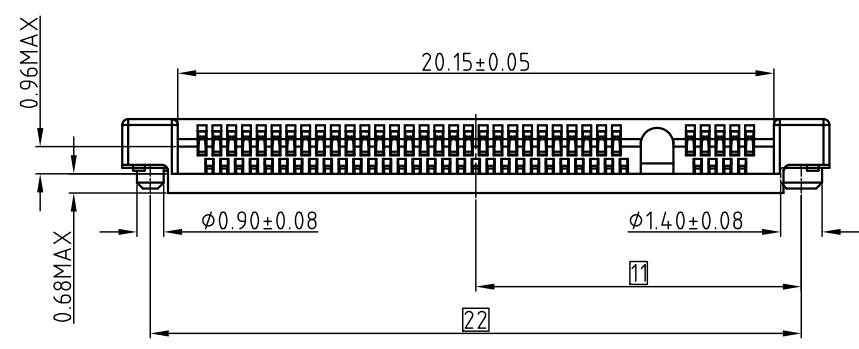
This document is the property of Amphenol Corporation and is delivered on the express condition that it is not to be disclosed, reproduced or used, in whole or in part, for manufacture or sale by anyone other than Amphenol Corporation without its prior consent, & that no right is granted to disclose or to use any information in this document.

CUSTOMER DRAWING

REVISIONS				
SYM	ECN	DESCRIPTION	DATE	APPROVED
1	CDXXXX	NEW RELEASE	JAN.06,2014	YH



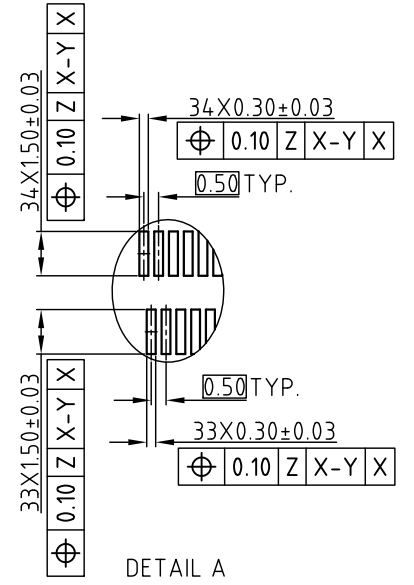
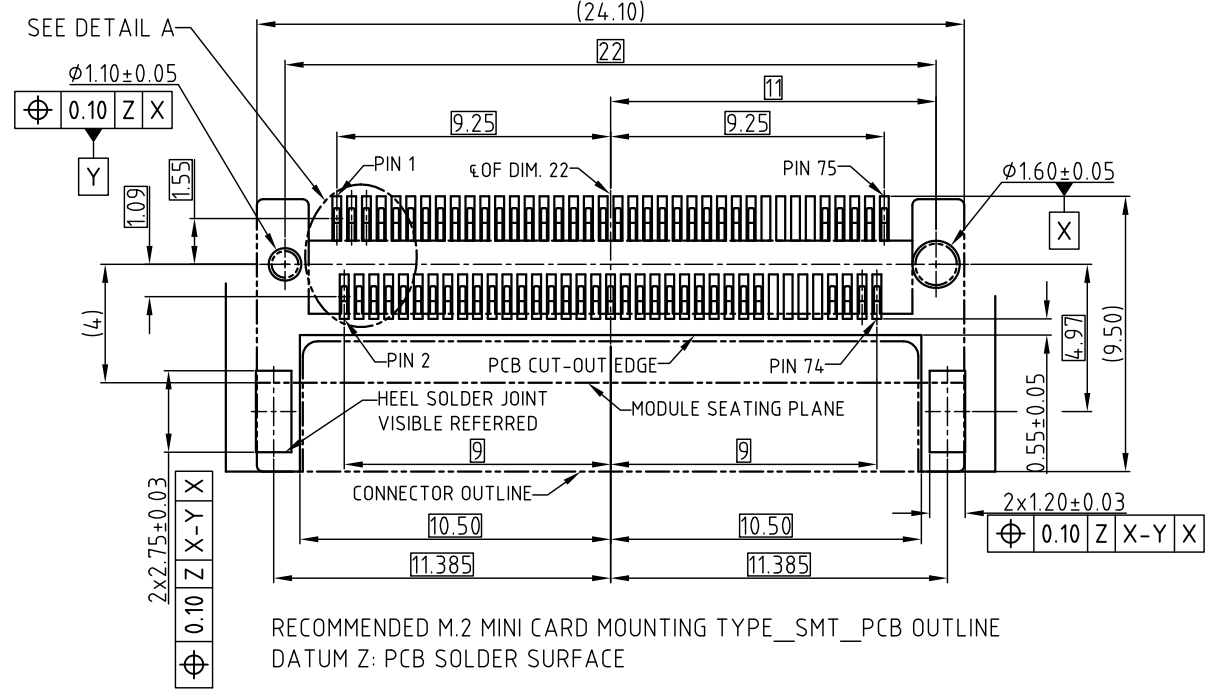
- NOTE:
- MATERIAL:
 - PLASTIC: LCP, UL 94V-0, BLACK
 - CONTACT: COPPER ALLOY
 - BOARD LOCK: ALLOY
 - FINISHED:
 - CONTACT AREA: SEE P/N SYSTEM
 - SOLDER AREA: GOLD FLASH
 - BOARD LOCK: TIN PLATING
 - UNDERPLATED: NI PLATING
 - ELECTRICAL PERFORMANCE:
 - 3.1 CURRENT RATING: 0.5A PER PIN, VOLTAGE RATING: 50 VAC PER PIN
 - 3.2 DIELECTRIC STRENGTH: 300V AC FOR 1 MINUTE
 - 3.3 INSULATION RESISTANCE: 500MΩ MIN
 - 3.4 CONTACT RESISTANCE: 55mΩ MAX
 - 3.5 OPERATION TEMPERATURE: -40°C TO +80°C
 - MATERIAL SHOULD BE FULFILLED AMPHENOL SPEC# S-SN-002
 - PRODUCT SHOULD BE FULFILLED AMPHENOL PACKAGE SPEC#PKS-MTD-001



ORDER P/N SYSTEM:
MDT 180 X XX 001

PLATING
01 0.76 MICRONS GOLD PLATING
02 0.38 MICRONS GOLD PLATING
03 GOLD FLASH

CONNECTOR KEY ID
A - KEY A
B - KEY B
E - KEY E
M - KEY M
...



PROPOSAL DRAWING

M	14.0	2.0	1.375	6.125	
E	5.5	10.5	1.125	-2.625	
B	2.5	13.5		-5.625	
A	1.5	14.5		-6.625	
KEY ID	DIM.A	DIM.B	DIM.C	DIM.D	REMARK
UNLESS OTHERWISE SPECIFIED TOLERANCES					
		U.S.	METRIC		
.X	+/-		0.50		
.XX	+/-		0.25		
.XXX	+/-				
FRACTIONS	+/-		5°		
ANGLES	+/-				
FOR MATERIALS AND FINISHES SEE NOTES					
REMOVE SHARP EDGES			ANGLE OF PROJECTION		
DIMENSIONS					
U.S.		INCHES			
(METRIC)		(MM)			
		APPROVAL		DATE	
		DRAWN Yunx.liu		JAN.06,2014	
		CHECKED Ly.yi		JAN.06,2014	
		APPROVED			
		DRAWING FILE : DRAWING\MDT\CMDT180XXX001			
TITLE					
Amphenol					
M.2 MINI PCIe CONECTOR (MID LINE)					
SIZE	DRAWING NO.			REV.	
A3	C MDT-180-X-XX-001			1	
SCALE	NONE		SHEET 1 OF 1		

RECOMMENDED M.2 MINI CARD MOUNTING TYPE_SMT_PCB OUTLINE
DATUM Z: PCB SOLDER SURFACE

NOTE: PCB WILL NEED TO BE CUT-OUT TO PROVIDE CLEARANCE FOR THE CONNECTOR, THE REFERENCE DIMENSIONS ON THIS FIGURE PROVIDE GUIDANCE. ADDITIONAL CUT-OUT MAY BE REQUIRED FOR THE MODULE.