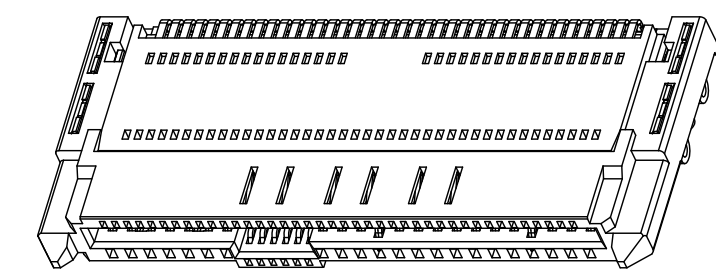
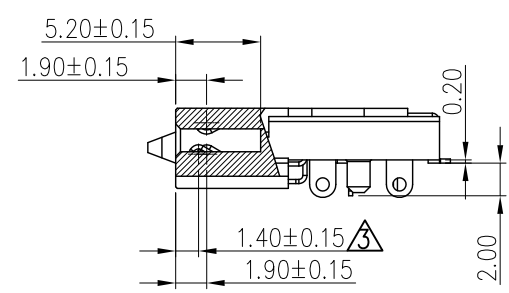
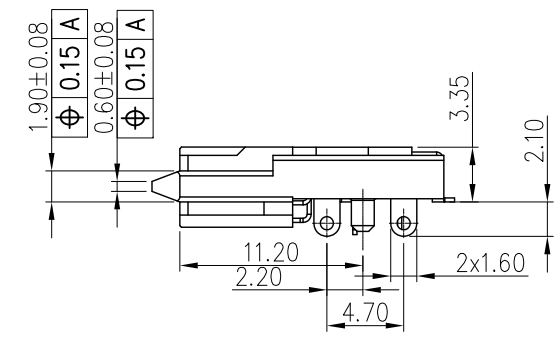
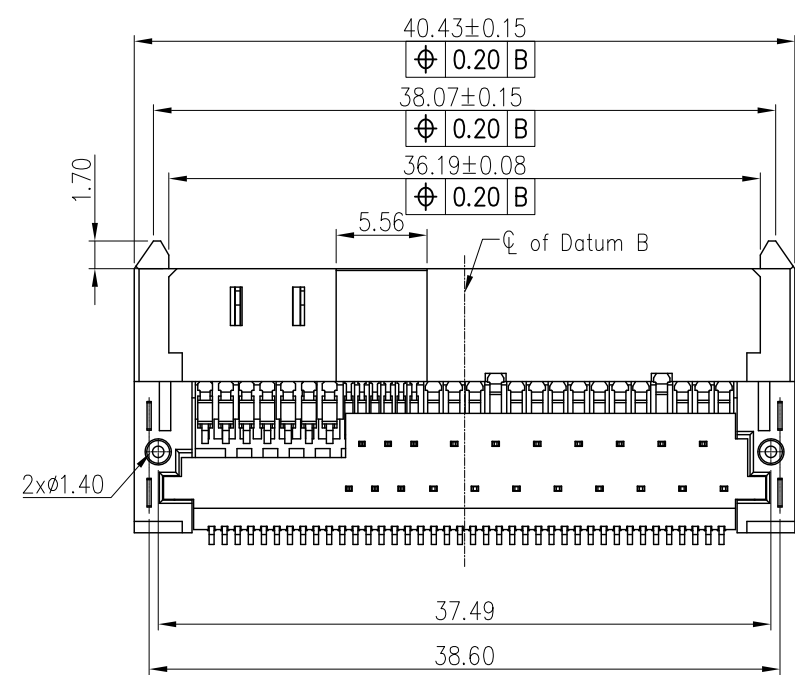
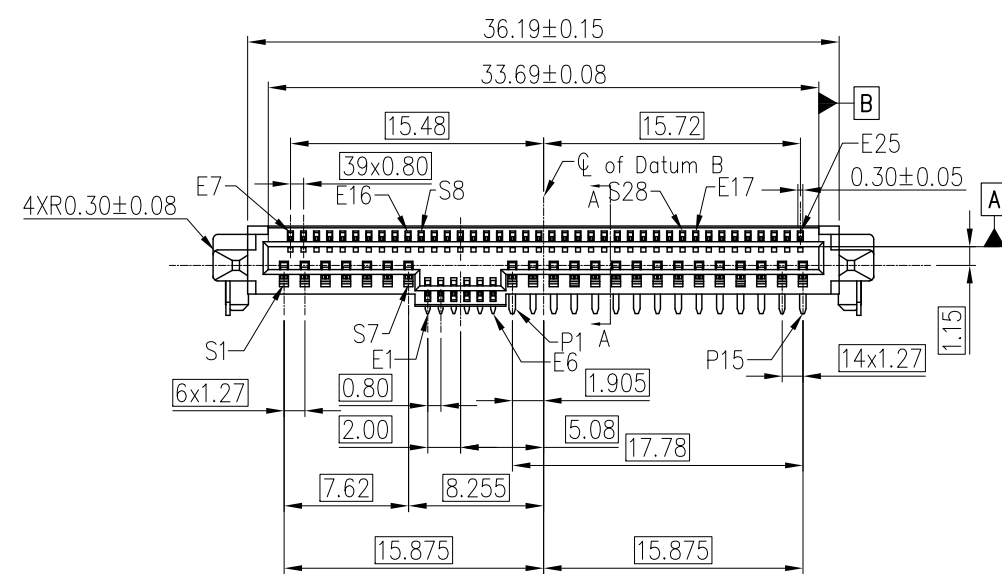
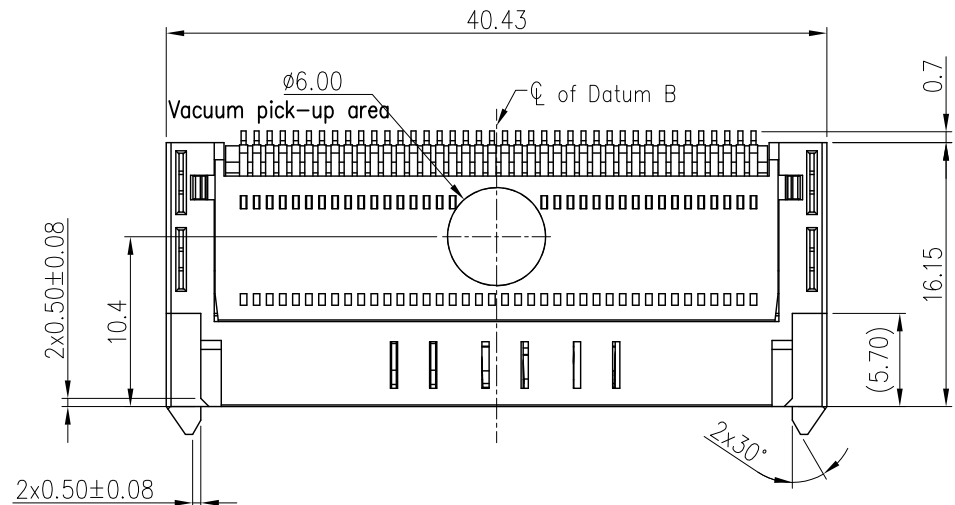


This document is the property of Amphenol Corporation and is delivered on the express condition that it is not to be disclosed, reproduced or used, in whole or in part, for manufacture or sale by anyone other than Amphenol Corporation without its prior consent, & that no right is granted to disclose or to use any information in this document.

REVISIONS				
SYM	ECN	DESCRIPTION	DATE	APPROVED
1	HK7012	FIRST RELEASE	01/07/14	IP



- NOTES:
- MATERIAL HOUSING: HIGH TEMPERATURE PLASTIC. UL94V-0, BLACK.
CONTACT: PHOSPHOR BRONZE
PLATING: REFER TO P/N SYSTEM ON MATING AREA
1.27~2.54um NICKEL UNDERPLATE OVERALL
2.54~5.08um PURE MATTE TIN ON SOLDER TAIL
SOLDER CLIP: COPPER ALLOY, 2.54~5.08um PURE TIN PLATED OVERALL
1.27~2.54um NICKEL UNDERPLATE
 - ELECTRICAL SPECIFICATION:
CONTACT RESISTANCE: 30mΩ MAX.
INSULATOR RESISTANCE: 1000MΩ MIN.
DIELECTRIC WITHSTANDING VOLTAGE: 500 V AC
- ⚠️ PREMATING AT P4 & P12
4. ORDER P/N SYSTEM: PSAS-F413-003-X-XX

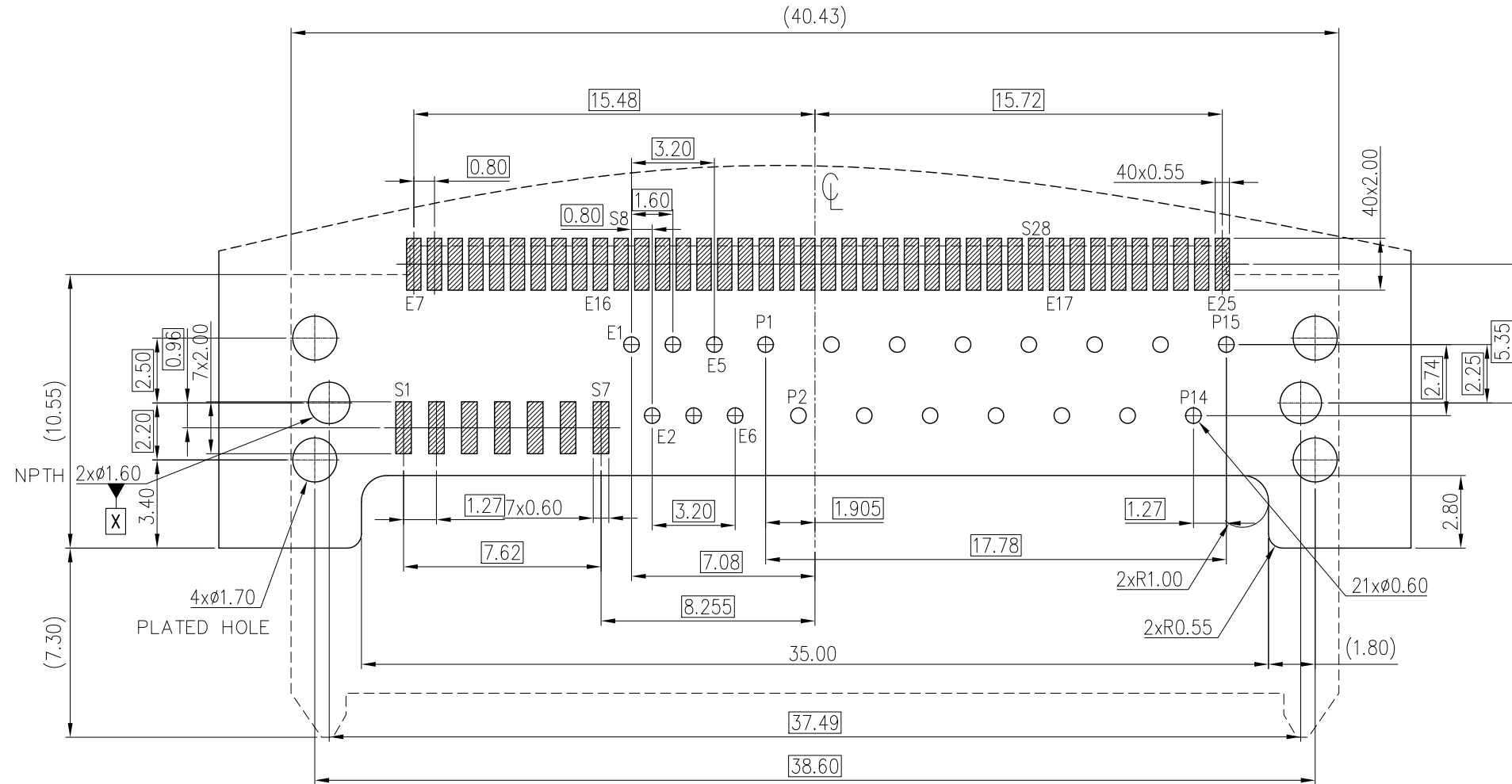
- MATING AREA PLATING
- 0.76um MIN Au.
 - 0.38um MIN Au.
 - Gold FLASH
 - G/F over PdNi
- PACKING STYLE
- NIL- TRAY
 - TR- TAPE AND REEL



UNLESS OTHERWISE SPECIFIED TOLERANCES	U.S.	METRIC	APPROVAL	DATE	Amphenol			
	.X +/-	0.50				DRAWN	Fuan.Jiang	01/07/14
	.XX +/-	0.25				CHECKED		
	.XXX +/-	0.20				CHECKED		
FRACTIONS +/-	3'		DRAWING FILE :					
ANGLES +/-			DRAWING\PSAS\CPSASF413003XXX-1					
REMOVE SHARP EDGES	ANGLE OF PROJECTION							
DIMENSIONS								
U.S.	INCHES							
(METRIC)	(MM)		TITLE					
			Customer Drawing For					
			12G PCIe/SAS R/A Hybrid RECEPTACLE					
SIZE	DRAWING NO.		REV.					
A3	C PSAS-F413-003-XXX		1					
SCALE	NONE		SHEET 1 OF 2					

This document is the property of Amphenol Corporation and is delivered on the express condition that it is not to be disclosed, reproduced or used, in whole or in part, for manufacture or sale by anyone other than Amphenol Corporation without its prior consent, & that no right is granted to disclose or to use any information in this document.

REVISIONS				
SYM	ECN	DESCRIPTION	DATE	APPROVED
REFER TO SHEET 1				



RECOMMENDED PCB LAYOUT
PCB THICKNESS 2.35mm



UNLESS OTHERWISE SPECIFIED TOLERANCES U.S. METRIC .X +/- 0.50 .XX +/- 0.25 .XXX +/- 0.20 FRACTIONS +/- ANGLES +/- 3° FOR MATERIALS AND FINISHES SEE NOTES REMOVE SHARP EDGES DIMENSIONS U.S. INCHES (METRIC) (MM)	APPROVAL DRAWN Fuan.Jiang CHECKED CHECKED	DATE 01/07/14	Amphenol Amphenol East Asia Limited TITLE Customer Drawing For 12G PCIe/SAS R/A Hybrid RECEPTACLE SIZE DRAWING NO. REV. A3 C PSAS-F413-003-XXX 1 SCALE NONE SHEET 2 OF 2
	DRAWING FILE : DRAWING\PSAS\CPSASF413003XXX-1		
	ANGLE OF PROJECTION 		
	DIMENSIONS U.S. INCHES (METRIC) (MM)		