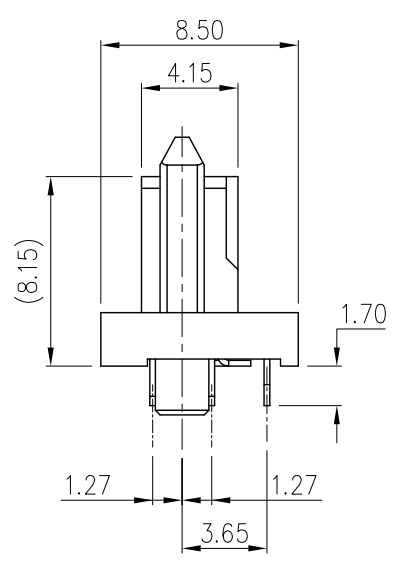
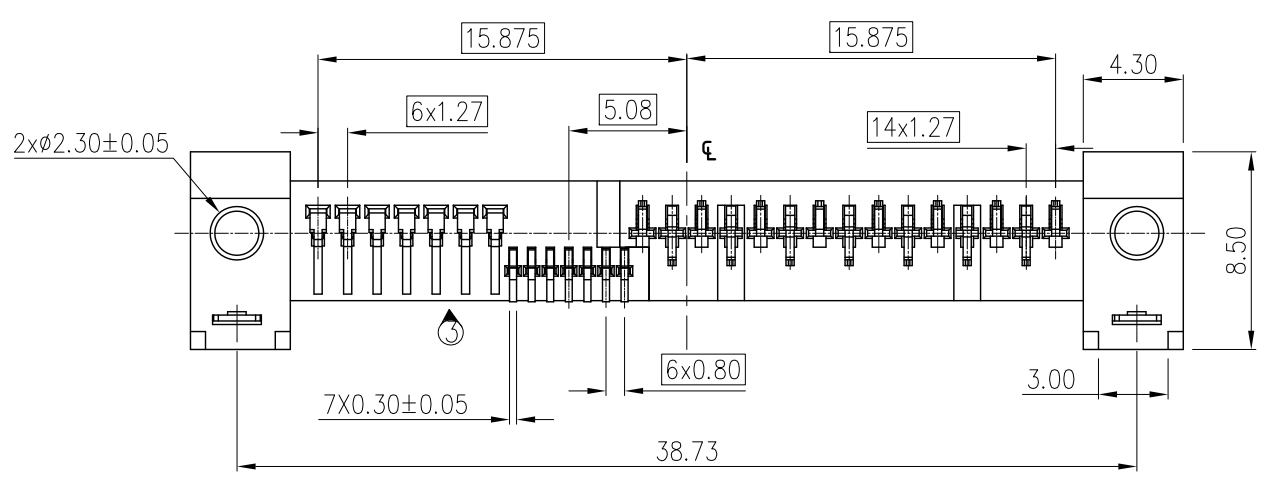
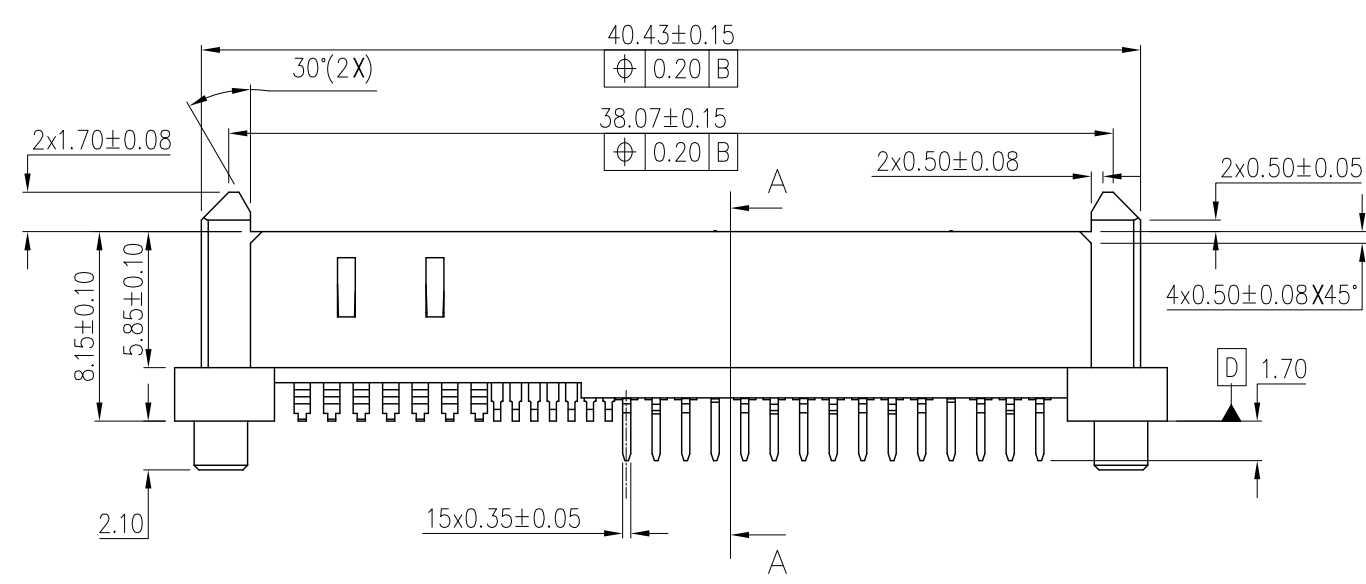
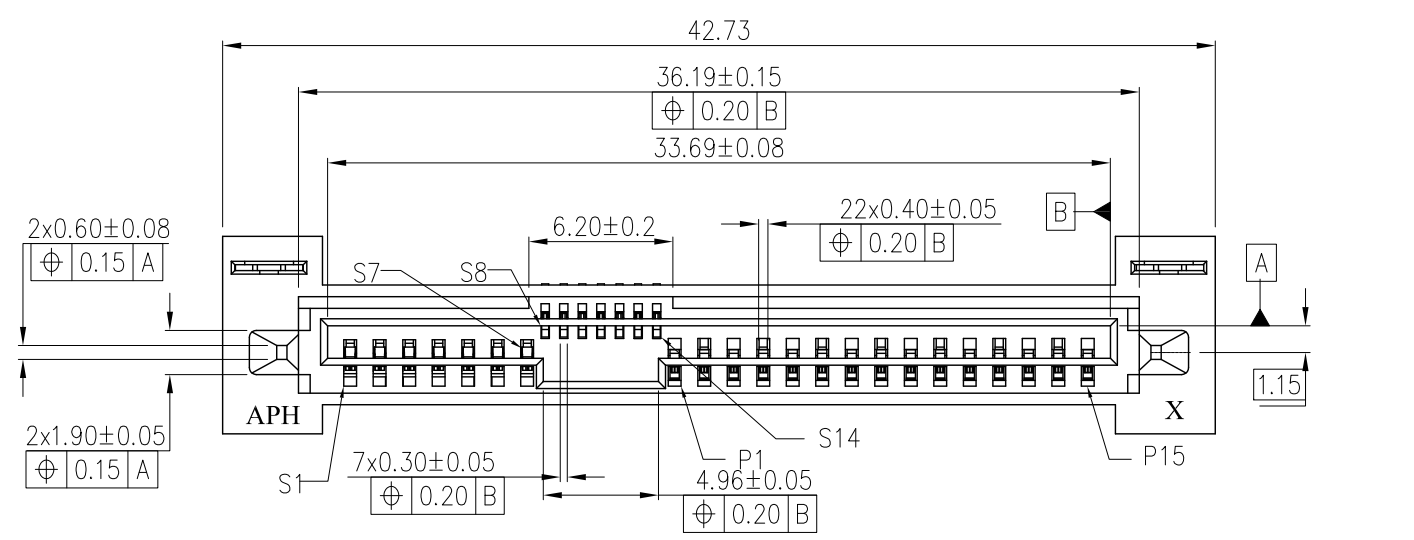


This document is the property of Amphenol Corporation and is delivered on the express condition that it is not to be disclosed, reproduced or used, in whole or in part, for manufacture or sale by anyone other than Amphenol Corporation without its prior consent, & that no right is granted to disclose or to use any information in this document.

REVISIONS				
SYM	ECN	DESCRIPTION	DATE	APPROVED
1	N/A	FIRST RELEASE	03/05/13	IP
2	HK6940	ADDED MARK AND G/F Pd/Nickel option	03/25/13	IP
3	N/A	Change SATA SIGNAL CONTACT LENGTH	05/06/13	IP



HF



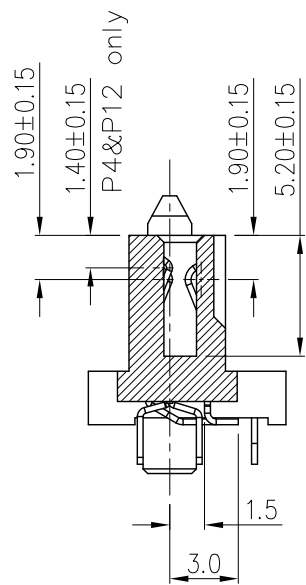
- NOTES:
- MATERIAL HOUSING: HIGH TEMPERATURE THERMOPLASTIC UL94V-0, BLACK. OR EQUIVALENT HIGH TEMPERATURE PLASTIC.  
CONTACT: PHOSPHOR BRONZE  
PLATING: REFER TO P/N SYSTEM ON MATING AREA  
1.27~2.54um NICKEL UNDERPLATE OVERALL  
2.54~5.08um MATTE TIN ON SOLDER TAIL  
SOLDER TABS: COPPER ALLOY, 2.54~5.08um MATTE TIN PLATED OVERALL  
1.27~2.54um NICKEL UNDERPLATE
  - ELECTRICAL SPECIFICATION: CURRENT RATING: 1.5A  
CONTACT RESISTANCE: 30mΩ MAX.  
INSULATOR RESISTANCE: 1000MΩ MIN.  
DIELECTRIC WITHSTANDING VOLTAGE: 500 V AC
  - RECOMMENDED PCB THICKNESS 2.54±0.15mm.
  - ORDER P/N SYSTEM: SAS3-F511-001-X-XX

MATING AREA PLATING ——— PACKING STYLE  
 1-0.76um MIN Au. ——— NIL-Tray  
 2-0.38um MIN Au. ——— TR-Tape and Reel  
 3-Gold FLASH ——— C- Tray and cover  
 4-G/F and Pd Nickel

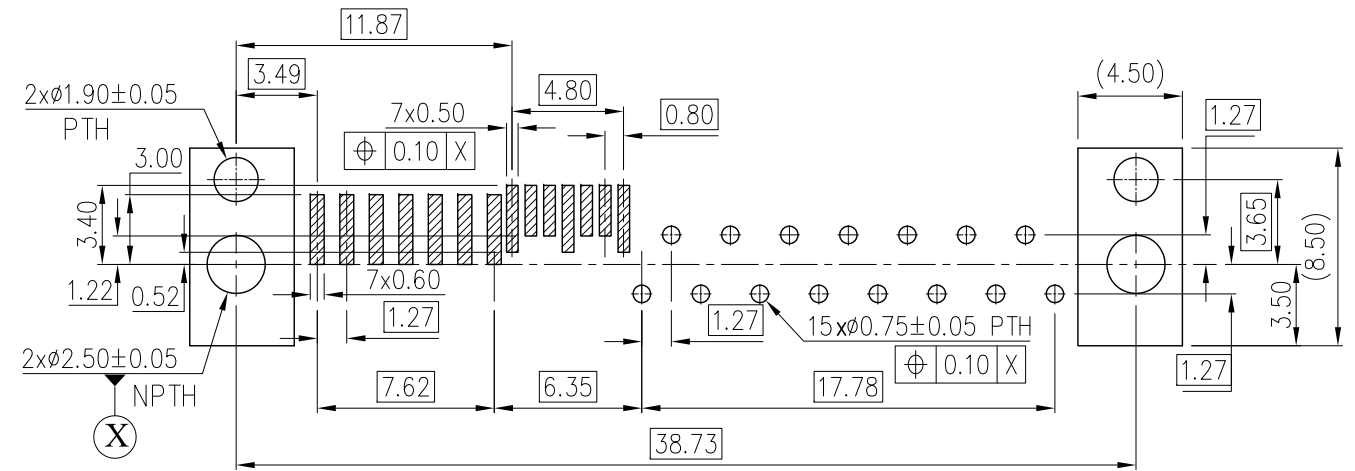
UNLESS OTHERWISE SPECIFIED TOLERANCES U.S. METRIC 0.0 +/- 0.50 0.00 +/- 0.25 0.000 +/- FRACTIONS +/- ANGLES +/- 5°	APPROVAL	DATE	Amphenol Amphenol East Asia Limited
	DRAWN Eddy Zeng	5/6/13	
FOR MATERIALS AND FINISHES SEE NOTES	CHECKED		TITLE
REMOVE SHARP EDGES	CHECKED		CUSTOMER DRAWING FOR
DIMENSIONS	DRAWING FILE : PE MASTER DRAWING SAS CSAS3F511001200-3		12G SAS VERTICAL HYBRID SOCKET
U.S. INCHES	ANGLE OF PROJECTION		SIZE DRAWING NO. REV.
(METRIC) (MM)	SCALE		A3 C SAS3-F511-001-X-XX 3
			SCALE N/A SHEET 1 OF 2

This document is the property of Amphenol Corporation and is delivered on the express condition that it is not to be disclosed, reproduced or used, in whole or in part, for manufacture or sale by anyone other than Amphenol Corporation without its prior consent, & that no right is granted to disclose or to use any information in this document.

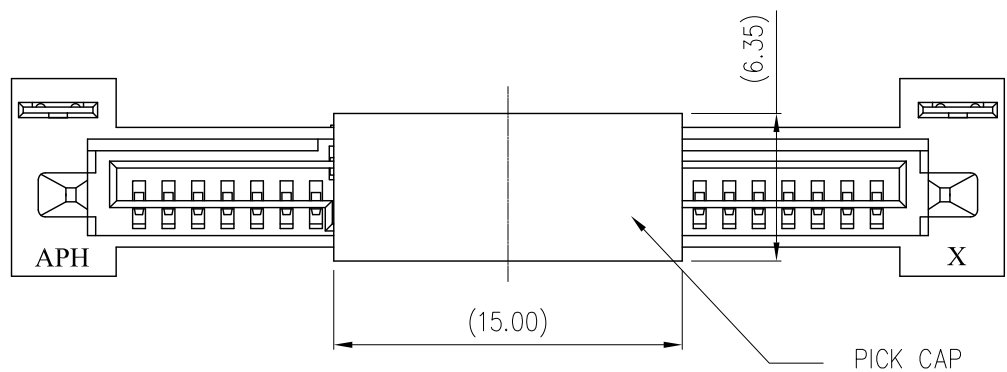
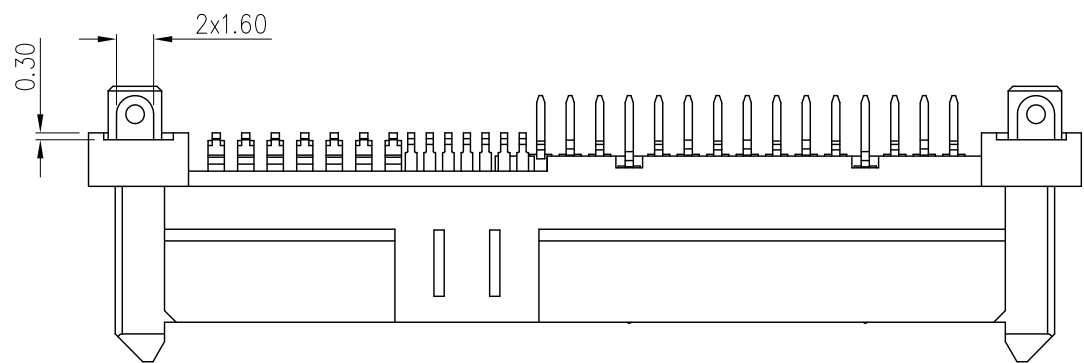
REVISIONS				
SYM	ECN	DESCRIPTION	DATE	APPROVED
REFER TO SHEET 1				



SECTION A-A

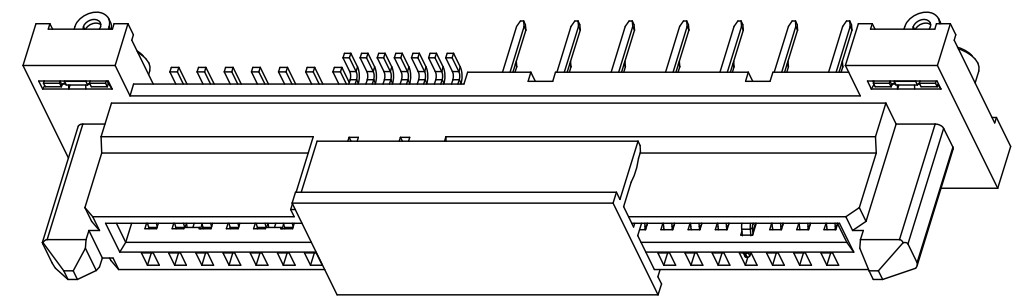


RECOMMENDED PCB LAYOUT  
GENERAL TOLERANCE ±0.05



WITH PICK CAP

HF



UNLESS OTHERWISE SPECIFIED <b>TOLERANCES</b> U.S. METRIC 0.0 +/- 0.50 0.00 +/- 0.25 0.000 +/- FRACTIONS +/- ANGLES +/- 5° FOR MATERIALS AND FINISHES SEE NOTES REMOVE SHARP EDGES DIMENSIONS U.S. INCHES (METRIC) (MM)	APPROVAL DRAWN Eddy Zeng CHECKED CHECKED Fuan Jiang	DATE 5/6/13	<b>Amphenol</b> Amphenol East Asia Limited TITLE CUSTOMER DRAWING FOR 12G SAS VERTICAL HYBRID SOCKET SIZE DRAWING NO. A3 C SAS3-F511-001-X-XX REV. 3 SCALE N/A SHEET 2 OF 2
	DRAWING FILE : PE MASTER DRAWING SAS CSAS3F511001X00-3		
	ANGLE OF PROJECTION 		
	DIMENSIONS U.S. INCHES (METRIC) (MM)		