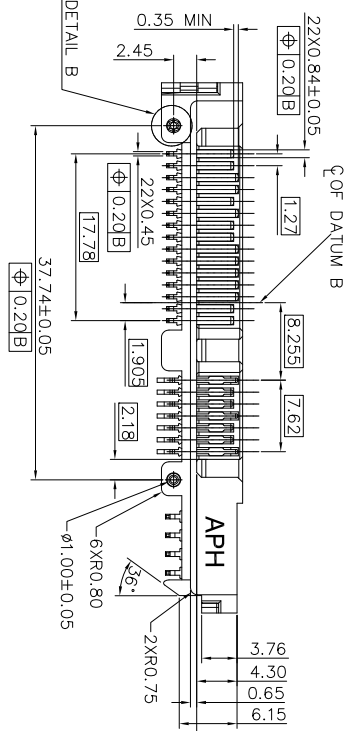
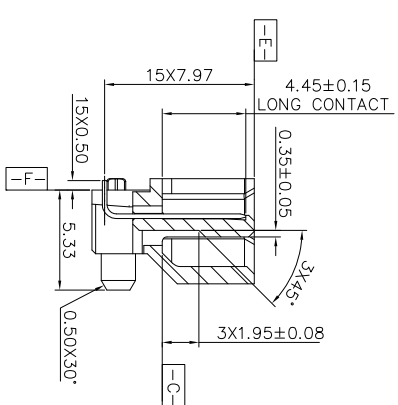
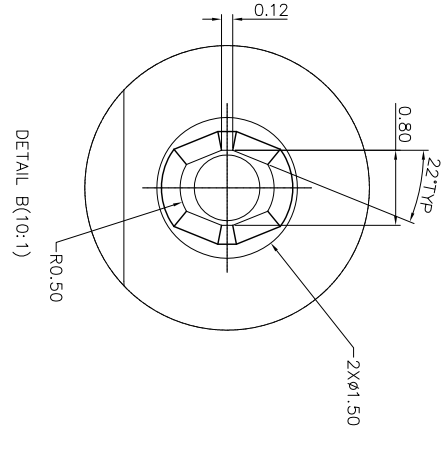
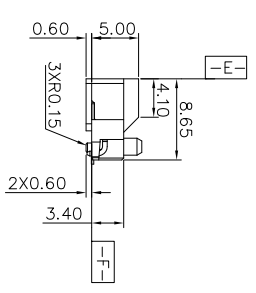
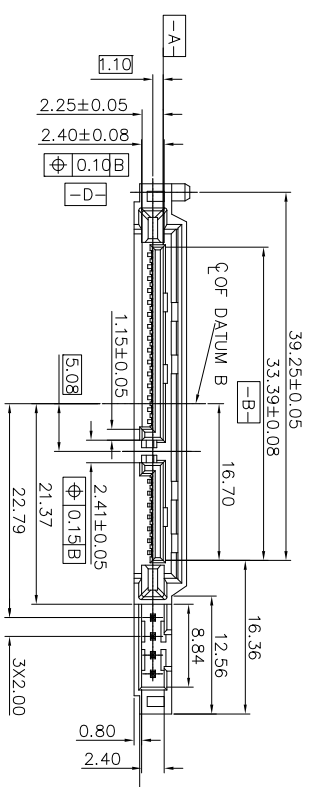
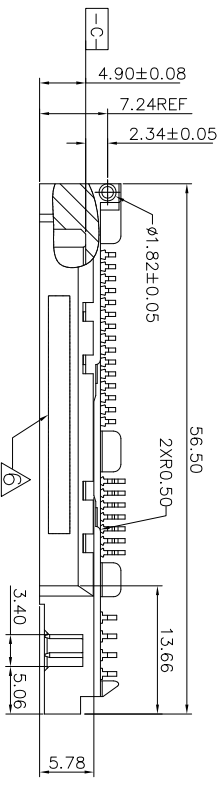
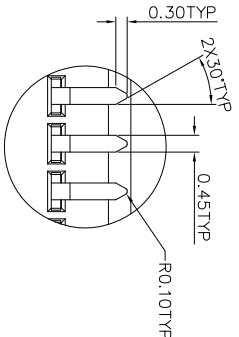
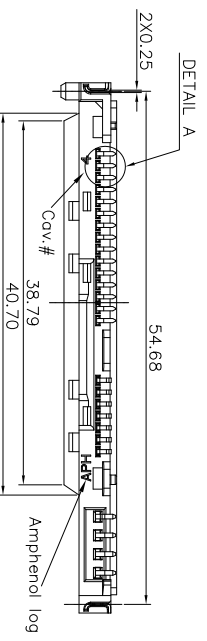


This document is the property of Amphenol Corporation and is delivered on a non-exclusive basis for the sole use of the customer. It is not to be reproduced, stored in a retrieval system, or transmitted in any form or by any means, electronic, mechanical, photocopying, recording, or by any information storage and retrieval system, without the prior consent in writing by Amphenol Corporation. All rights reserved. Amphenol Corporation is not responsible for any errors or omissions in this document.

# CUSTOMER DRAWING



- NOTES: UNLESS OTHERWISE SPECIFIED
- HOUSING: MATERIAL: GLASS FILLED HIGH TEMPERATURE PLASTIC: BLACK: UJ94V-0.
  - SATA TERMINAL: g. MATERIAL: BRASS, b. CONTACT AREA FINISH: 50" MIN GOLD PLATING OVER 500" MIN NICKEL UNDERPLATED.
  - SOLDER TAIL: 500" MIN TIN PLATING OVER 500" MIN NICKEL UNDERPLATED.
  - JUMPER PIN: g. MATERIAL: BRASS, b. CONTACT AREA FINISH: 40" MIN GOLD PLATING OVER 500" MIN NICKEL UNDERPLATED.
  - SOLDER TAIL: 500" MIN TIN PLATING OVER 500" MIN NICKEL UNDERPLATED.
  - MATERIAL SHRINK CAUSING DIMPLE ALLOWED.
  - DATE CODE PRINT AREA.
  - ORDER P/N: SAT1A00102573

UNLESS OTHERWISE SPECIFIED TOLERANCES		APPROVAL		DATE	
U.S.	METRIC	DRAWN	XD.HU	01/16/12	
X +/-	0.13	CHECKED			
XX +/-	0.13				
XXX +/-	0.13				
ANGLES +/-	3°				

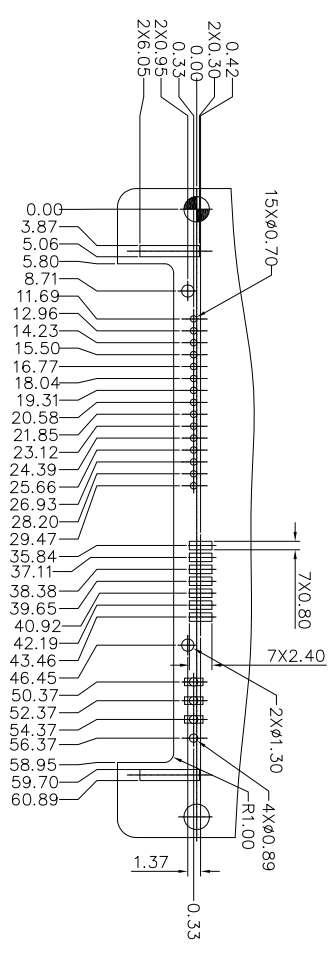
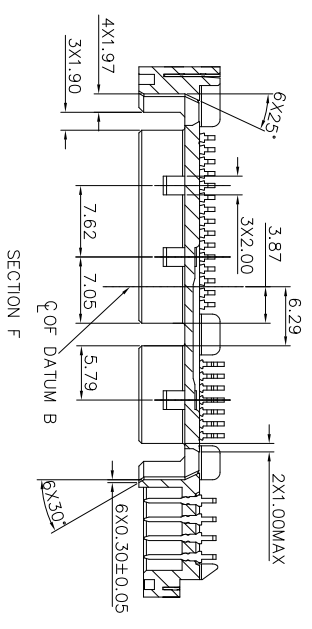
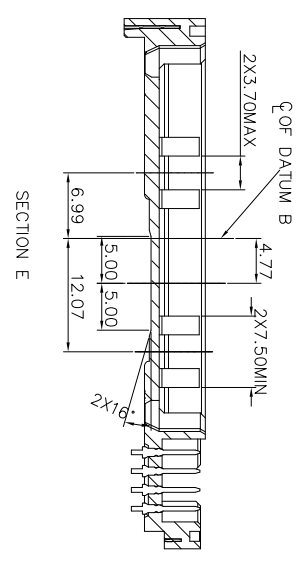
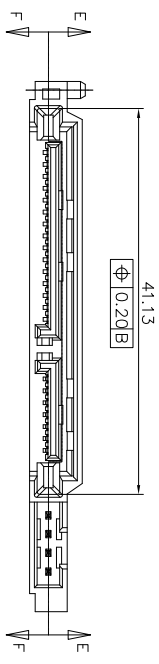
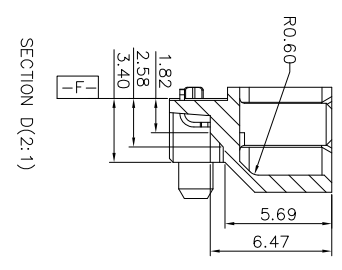
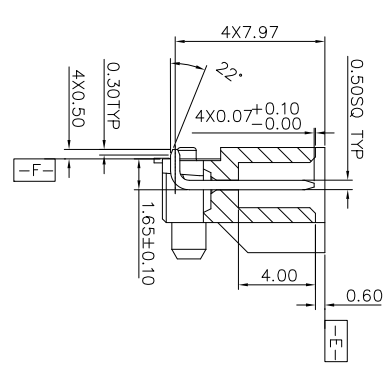
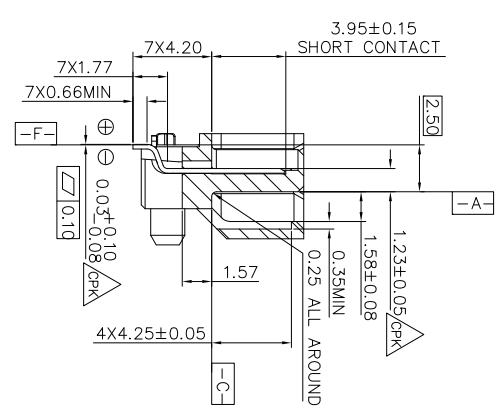
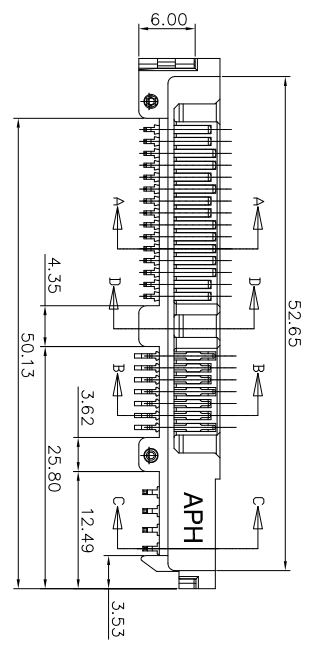
DRAWING FILE: DRAWING: SAT1A00102573		TITLE	
U.S.	INCHES	SCALE	REV.
REMOVE SHARP EDGES	(MM)	A3	1
		C SAT1A-001-0257-3	
		NONE	
			1

REVISIONS				
SYM	ECN	DESCRIPTION	DATE	APPROVED
1	C00118	FIRST RELEASE	01/16/12	LY.YI

This document is the property of Amphenol Corporation and is delivered on a non-exclusive basis. It is to be used for manufacturing or sales by anyone other than Amphenol Corporation without the prior consent of sales by anyone other than Amphenol Corporation. All rights reserved. No part of this document may be reproduced or transmitted in any form or by any means electronic or mechanical, including photocopying, recording, or by any information storage and retrieval system, without the prior written permission of Amphenol Corporation.

# CUSTOMER DRAWING

REVISIONS		DATE	APPROVED
SYM	ECN	DESCRIPTION	
		SEE SHEET 1/2	



UNLESS OTHERWISE SPECIFIED		APPROVAL		DATE		TITLE	
TOLERANCES	U.S.	DRAWN	XD	HU	01/16/12	Amphenol	
	METRIC	CHECKED				SATA PLUG, R/A, SMT	
X	+/-						
XX	+/-						
XXX	+/-						
ANGLES	+/-						
Z							
FOR MATERIALS AND FINISHES SEE REMOVE SHARP EDGES		DRAWING FILE:		DRAWING\SATIA\00102873			
DIMENSIONS		ANGLE OF PROJECTION		SIZE		DRAWING NO.	
U.S.	INCHES	FIRST ANGLE		A3		C SATIA-001-0257-3	
(METRIC)	(MM)	THIRD ANGLE		SCALE		NONE	
				SHEET		2 OF 2	
				REV.		1	